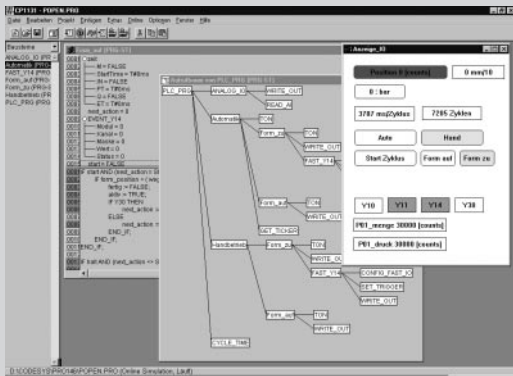




CP 1131

Programming environment for P-open



Programming according to IEC 1131-3

Certified for "PLCopen Base Level IL/ST"

PROFILE

The software package CP 1131 serves as the programming environment for P-open modules. It runs under Windows and provides PLC programming facilities according to the international IEC 1131-3 standard.

CP 1131 converts the IEC programs directly into executable machine code. As a combination of programming system and run-time system, with a corresponding code generator, the package has been matched ideally to the needs of the P-open automation modules.

The software includes editors for all textual and graphical languages specified in IEC 1131-3. The screen layout of the editors follows conventional Windows design rules.

As opposed to many other Windows-based applications, CP 1131 requires relatively little space on your PC's hard disk, in spite of its high functionality. When working with CP 1131, you benefit from delay-free editing and very short compilation times.

CP 1131 was written by software experts in the field of process control and automation, and the program has already proved its qualities in many applications.

Functional components

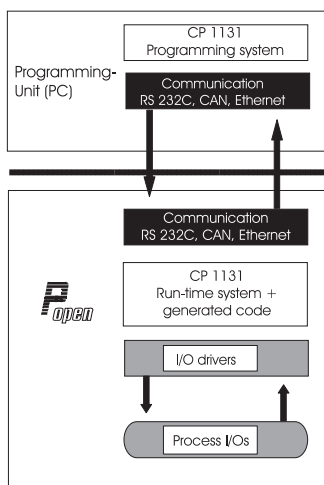
The software package offers the following programming functions:

- Editors for programming in the IEC languages:
 - Instruction List (IL)
 - Sequential Function Chart (SFC)
 - Structured Text (ST)
 - Ladder Diagram (LD)
 - Function Block Diagram (FBD).
- Interactive configuration of the PLC
- Visualization elements
- Library for user-defined function blocks
- Code generator for P-open
- Recording and graphical display of project variables (trace)
- Complete off-line simulation
- Comprehensive on-line functionality
- On-line help

On-line functions

Programs generated with CP 1131 are suitable for continuous control of a process, because software modules can be replaced during operation. The programming system contains a complete set of useful on-line functions such as:

- Monitoring of variables
- Writing and forcing of variables
- Defining breakpoints and single-stepping through the application
- Single cycle
- Display of the active stack
- Sequence monitoring
- Recording and graphical display of variables
- Animation of lead status with FBD and LD
- Exchange of software modules without interrupting operation



ORDERING DATA

Description	Order no.
Software package CP 1131	9407 709 00001

ACCESSORIES

Description	Order no.
Debugging cable (RS 232)	9407 799 00101
Configuration Tool for individual P-open modules (software download, parameter adjustment)	9407 709 80001

PMA
Prozeß- und Maschinen-
Automation GmbH
P.O. Box 31 02 29
D-34058 Kassel
Tel.: +49 - 5 61 - 5 05 14 03
Fax: +49 - 5 61 - 5 05 16 61
e-mail: export@pma-online.de
Internet: <http://www.pma-online.de>

Your local representative: