

KELLER

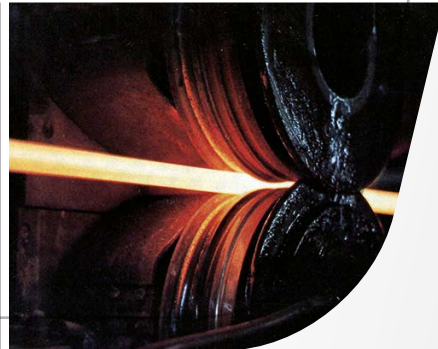
infrared
temperature
solutions

ITS



No 1

in terms of
ACCURACY
RELIABILITY
INNOVATION



Accessories Supplementary lenses

for pyrometers of the CellaTemp® PA,
CellaTemp® PX and CellaPort PT series

Accessories Supplementary lenses

Special features

- Screw-on type, easily attachable to the lens
- No influence on the calibration
- Distance-to-target ratio remains unchanged
- Very good optical imaging qualities due to infrared-optimised precision lenses
- High optical resolution for object sizes from 0.1 mm upwards
- Suitable for devices with a round or rectangular measuring field of view



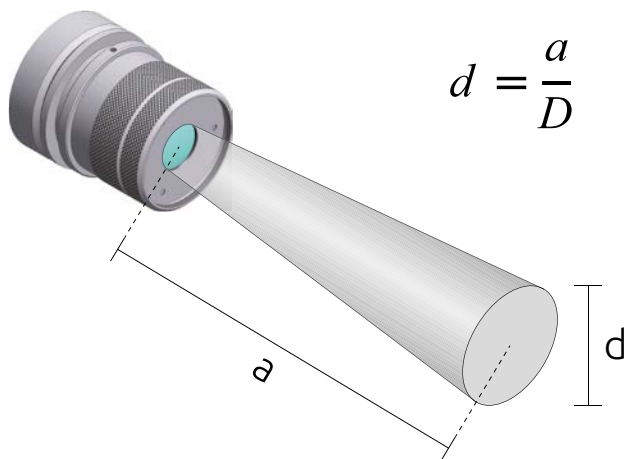
For the measurement of small objects, the pyrometers of the CellaTemp PA, CellaTemp PX and CellaPort PT series can be equipped with a variety of supplementary lenses for different object sizes and measuring distances. These lenses are simply mounted on the pyrom-

eter lens. The combination of various pyrometer types with supplementary lenses offer many additional imaging options for object sizes from 0.1 mm upwards.

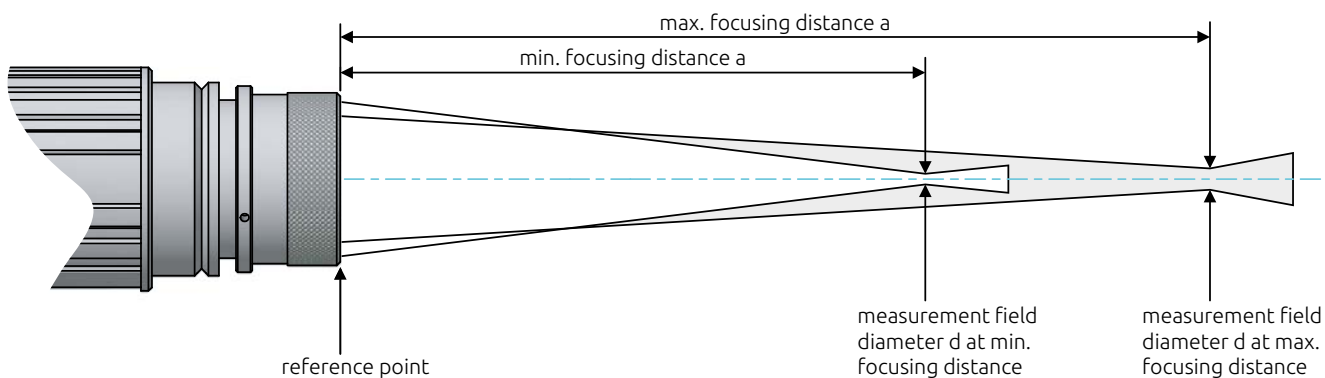
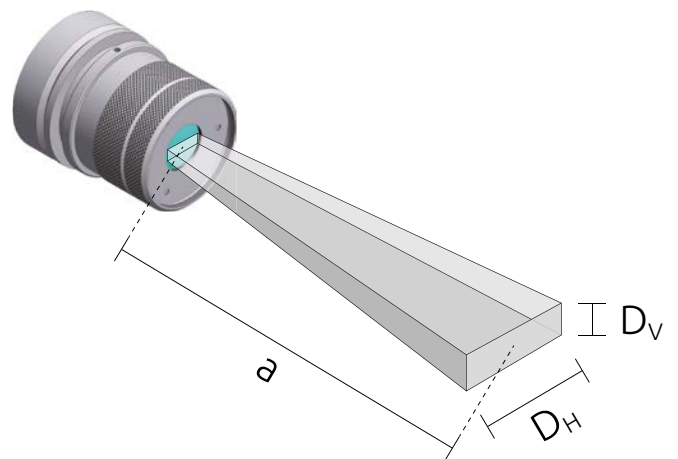
Measuring area

For pyrometers with focusable optics, the optical ratio D is defined as ratio of the measurement field over the measuring distance. The diameter of the measurement area at the focus distance results from the formula:

$$d = \frac{a}{D}$$



For models with rectangular field of view, the definition is extended to the horizontal D_H and vertical D_V optical ratio.



Supplementary lenses for CellaTemp PA, CellaTemp PX and CellaPort PT with round measuring area

Pyrometer		Lens	Supplementary lens							
Type			PZ 20/O-50		PZ 20/O-63		PZ 20/O-75		PZ 20/O-120	
			measuring distance [mm]	measurement field Ø in mm	measuring distance [mm]	measurement field Ø in mm	measuring distance [mm]	measurement field Ø in mm	measuring distance [mm]	measurement field Ø in mm
PA/PX 40 AF 4/7, 20 AF 1/5, 30 AF 1, 35 AF 1 PT 140 AF 4/7, 120 AF 1, 130 AF 1, 135 AF 1		PZ 20.01	36 - 41	0.35 - 0.45	45 - 54	0.40 - 0.60	52 - 63	0.45 - 0.70	84 - 112	0.70 - 1.10
PA/PX 40 AF 5/8, 20 AF 2/6, 30 AF 2, 35 AF 2 PT 140 AF 5/8, 120 AF 2, 130 AF 2, 135 AF 2		PZ 20.03	31 - 36	0.30 - 0.40	38 - 45	0.35 - 0.50	43 - 52	0.40 - 0.60	66 - 84	0.55 - 0.90
PA/PX 40 AF 6/9, 20 AF 3/7, 30 AF 3, 35 AF 3 PT 140 AF 6/9, 120 AF 3, 130 AF 3, 135 AF 3		PZ 20.06	41	0.30					101 - 112	0.55 - 0.67
PA/PX 40 AF 14/15		PZ 20.08	34 - 41	0.50 - 0.67					77 - 112	1.00 - 1.60
PA/PX 28 AF 10, 29 AF 10 PT 128 AF 10, 129 AF 10		PZ 20.08	34 - 41	1.28 - 1.75						
PA/PX 29 AF 21/22 PT 129 AF 21/22		PZ 20.01			45 - 54	1.05 - 1.50	52 - 63	1.20 - 1.75		
PA/PX 29 AF 23 PT 129 AF 23		PZ 20.06							101 - 112	1.43 - 1.75
PA/PX 40 AF 1, 50 AF 1 PT 140 AF 1		PZ 20.01	36 - 41	0.65 - 0.90	45 - 54	0.80 - 1.10	52 - 63	0.90 - 1.40	84 - 112	1.30 - 2.10
PA/PX 40 AF 2, 50 AF 2 PT 140 AF 2		PZ 20.03	31 - 36	0.60 - 0.80	38 - 45	0.70 - 1.00	43 - 52	0.80 - 1.10	66 - 84	1.10 - 1.70
PA/PX 40 AF 3, 50 AF 3 PT 140 AF 3		PZ 20.06	41	0.55					101 - 112	1.10 - 1.40
PA/PX 40 AF 20 PT 140 AF 20		PZ 20.08	36 - 41	1.45 - 2.00					77 - 112	2.10 - 3.45
PA/PX 60 AF 1		PZ 20.08	36 - 41	1.05 - 1.45					77 - 112	3.00 - 4.80

Supplementary lenses for CellaTemp PA/PX 43 and CellaPort PT 143 with rectangular measuring area

Pyrometer		Lens	Supplementary lens							
Type			PZ 20/O-50		PZ 20/O-63		PZ 20/O-75		PZ 20/O-120	
			measuring distance [mm]	measurement field Ø in mm	measuring distance [mm]	measurement field Ø in mm	measuring distance [mm]	measurement field Ø in mm	measuring distance [mm]	measurement field Ø in mm
PA/PX 43 AF 1 PT 143 AF 1		PZ 20.01	36 - 41	1.20 - 1.60	45 - 54	1.40 - 2.00	52 - 63	1.60 - 2.40	84 - 112	2.40 - 3.80
				0.20 - 0.30		0.30 - 0.40		0.50		0.50 - 0.80
PA/PX 43 AF 2 PT 143 AF 2		PZ 20.03	31 - 36	1.10 - 1.40	38 - 45	1.30 - 1.70	43 - 52	1.40 - 2.00	66 - 84	2.00 - 2.90
				0.20 - 0.30		0.30		0.30 - 0.40		0.60
PA/PX 43 AF 3 PT 143 AF 3		PZ 20.06	41	1.00					101 - 112	1.90 - 2.40
				0.20						0.40 - 0.50
PA/PX 43 AF 13 PT 143 AF 13		PZ 20.08	34 - 41	1.70 - 2.40					77 - 112	3.50 - 5.70
				0.30 - 0.50						0.70 - 1.10
PA/PX 43 AF 4/7 PT 143 AF 4/7		PZ 20.01	35 - 41	1.00 - 1.40	45 - 54	1.30 - 1.80	52 - 63	1.40 - 2.10	84 - 112	2.10 - 3.40
				0.20		0.20 - 0.30		0.30 - 0.40		0.40 - 0.60
PA/PX 43 AF 5/8 PT 143 AF 5/8		PZ 20.03	31 - 35	0.90 - 1.20	38 - 45	1.10 - 1.50	43 - 52	1.30 - 1.80	66 - 84	1.80 - 2.60
				0.20		0.20 - 0.30		0.20 - 0.30		0.40
PA/PX 43 AF 6/9 PT 143 AF 6/9		PZ 20.06	41	0.90					101 - 112	1.70 - 2.10
				0.10						0.30
PA/PX 43 AF 14/15 PT 143 AF 14/15		PZ 20.08	34 - 41	1.50 - 2.10					77 - 112	3.10 - 5.00
				0.30						0.50 - 0.80

KELLER

Creating Solutions

infrared
temperature
solutions

ITS



- Headquarters
- Sales and Service Center
- Sales abroad



 **IO-Link**

PROFI
BUS

Keller HCW GmbH
Infrared Temperature Solutions (ITS)
Carl-Keller-Straße 2-10
49479 Ibbenbüren-Laggenbeck
Germany

www.keller.de/its
Tel. +49 (0) 5451 850
Fax +49 (0) 5451 85412
its@keller.de

Sales and Service Center

France
www.keller.de/its
Tel. +33 (0) 951 453050
its@keller.de

Italy
www.giga-tech.it
Tel. +39 (0) 296489130
contatti@giga-tech.it

Austria
www.sensotec.at
Tel. +43 313 551 650
office@sensotec.at

Russia
www.ampermetr.com
Tel. +7 343 384 55 45
info@ampermetr.com

Spain
www.umi.es
Tel. +34 94 446 62 50
comercial@umi.es

China
www.keller-its.cn
Tel. +86 (0) 10 828 679-20
keller@germantech.com.cn

India
www.keller-itsindia.com
Tel. +91 (0) 98841 11025
info@keller-itsindia.com

Korea
www.ultratec.co.kr
Tel. +82 (0) 70 8282 5979
ellen@ultratec.co.kr