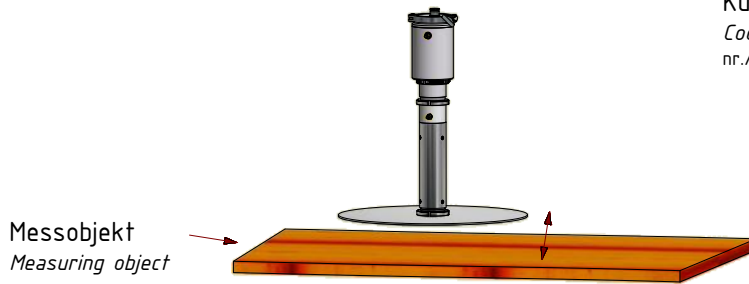


Strahlungsschutzschild PA 20/S AF1
Radiation protection shield PA 20/S AF1
nr./no. 1082174

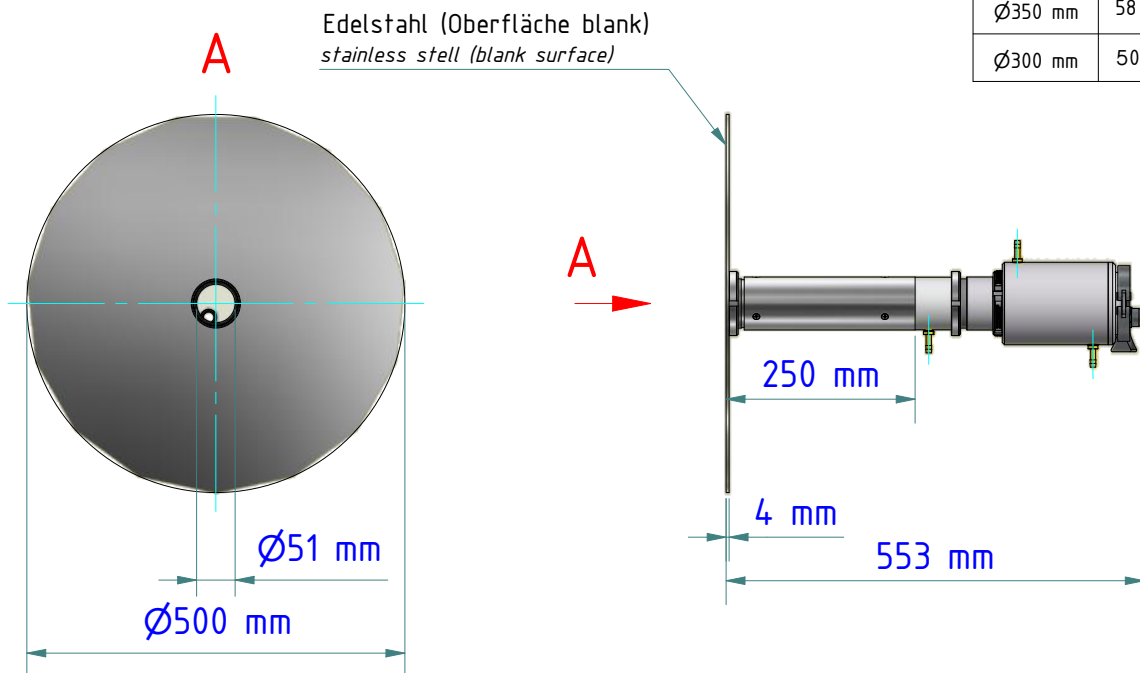
Sichtrohr PA 20/R AF1
sight tube PA 20/R AF1
nr./no. 1081381

Axialluftdüse PZ 20/A AF1
Air purge PZ 20/A AF1
nr./no. 561176

Kühlarmatur, geschlossen PA 20/M AF1
Cooling jacket, sealed PA 20/M AF1
nr./no. 1027765



Abstand zum Messobjekt Distance to object	
Distanzverhältnis / field of view 1:6	
Ø500 mm	83 mm
Ø450 mm	75 mm
Ø400 mm	66 mm
Ø350 mm	58 mm
Ø300 mm	50 mm



Edelstahl (Oberfläche blank)
stainless steel (blank surface)