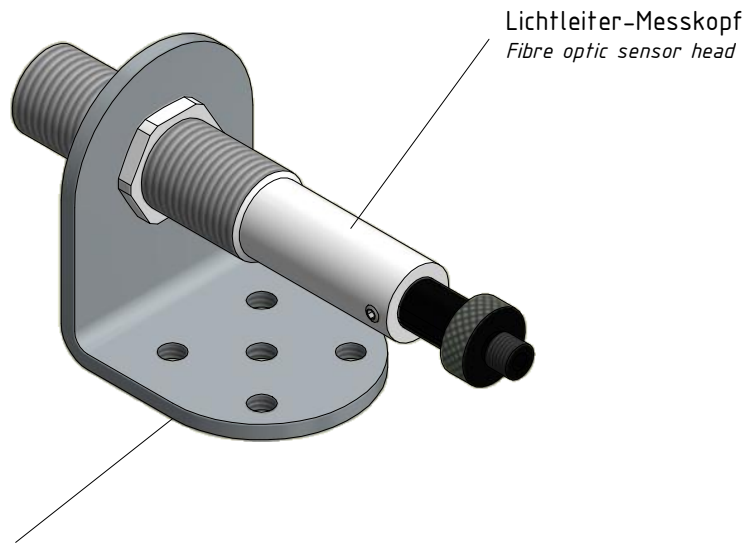


Gewicht: 0.134 Kg
 Weight: 0.134 Kg
 Werkstoff: 1.4301
 Material: 1.4301



Befestigungswinkel Set PS 11/U AF2
Set of mounting brackets PS 11/U AF2
 nr./no. 1061725

